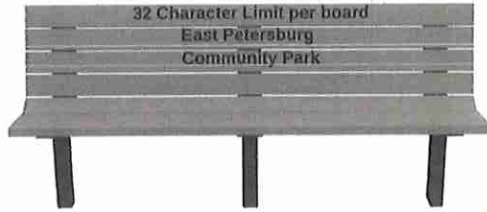


Park Memorial Bench Pricing

Delivery Info

Specifications

Documents and Instructions



CAPTURE

START OVER

ZOOM 66%



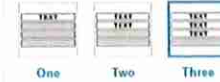
Resistant Breakage

Best Seller

Eco Friendly

Reviews (9)/Q&A

Number of Boards Engraved



Select Color



NEXT

Text

My Designs

PREVIEW DESIGN



PRODUCT DETAILS

| | |
|----------------------------|---------------------------|
| SKU: | KBCL308-GY |
| Product Code: | BN-62 |
| Product Name: | Silhouette Memorial Bench |
| Bench Length: | 6' |
| Select Mount Type: | Inground |
| Number of Boards Engraved: | Three |
| Select Color: | Gray/Black |
| Quantity: | 1 |



TreeTop Products, LLC
 222 State Street
 Batavia IL (666) 511-5642
info@treeonproducts.com

Quote

Account Number - 365567

Estimate # QUOTRE38207

8/5/2024

Customer
 Jeffrey Moseman
 East Petersburg Boro
 6070 Pine St street
 Suite A
 EAST PETERSBURG PA 17520
 (717) 419-7958

Ship To
 Jeffrey Moseman
 East Petersburg Boro
 6070 Pine St street Suite A
 EAST PETERSBURG PA 17520

| Item | Qty | Rate | Amount | Estimated Lead Time |
|---|-----|------------|------------|----------------------|
| 22K2382-GY Champion Memorial Bench/ 6' Bench/ 3 Engraved Boards/ Inground Mount/ Gray/Black Inlay Text for 1st Board (32 Characters): 32 Character Limit Per Board Text for 2nd Board (32 Characters): East Petersburg Text for 3rd Board (32 Characters): Community Park | 1 | \$1,228.65 | \$1,228.65 | Ships in 6 - 8 Weeks |

| | |
|---------------|-------------------|
| Subtotal | \$1,228.65 |
| Tax Total (%) | \$0.00 |
| Shipping | \$244.70 |
| Total | \$1,473.55 |

*Estimated lead time is based on normal fulfillment time of an order at this moment. Orders with large quantities may require additional time. These estimates are subject to change based on the nationwide supply chain issue.

PRICING FOR THIS QUOTE IS LOCKED IN FOR 30 DAYS

Park Bench Total:\$ 1473.55
 4 Bags of Concrete for footers (\$5.30/ Bag)\$21.24
 6- 8 hours to install\$105/hr..... \$840.00
 Grand Total: \$2334.79

Description

Our popular, comfortable, contoured bench available with personalization

- Seat/Back: Recycled plastic
- Seat Length Options: 4 ft., 6 ft., 8 ft.
- Frame: Powder-coated steel
- Durable, maintenance-free recycled plastic construction
- UV and moisture resistant
- 2" x 4" boards with engraved lettering & glossy colored inlay
- 2" high letters engraved with Times New Roman font
- Maximum characters (including spaces):
 - 4 ft. bench: 22 characters per board
 - 6 ft. bench: 32 characters per board
 - 8 ft. bench: 43 characters per board
- Heavy-duty, powder-coated Black steel frames
- Assembly required, includes stainless steel hardware
- Guaranteed against breakage for 50 years
- Engraved benches may vary slightly from the proof based on character limits, capitalization, punctuation and location of screws
- For special spacing or characters please contact customer service to place your order

***No returns on custom benches**

NOTE: All 8 ft. benches ship on oversized pallets. If you do not have access to a fork lift and/or loading dock at your facility - please contact customer service to further assist with a custom shipping solution for delivery. Due to the size of this product, Liftgates cannot be used to move this product on and off the delivery truck.

Delivery Info

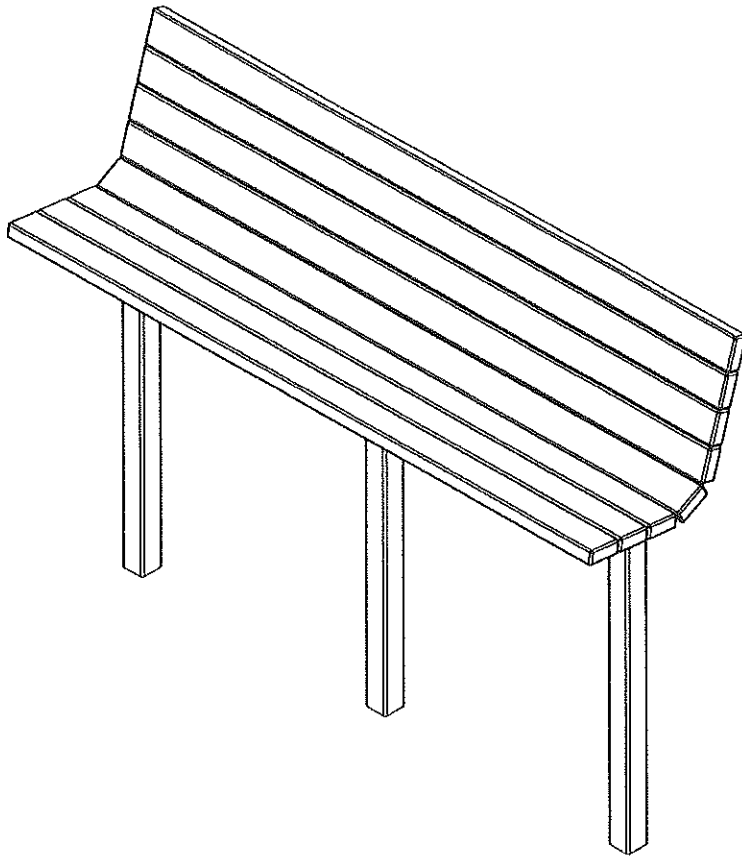
NOTE: Products that are 8 ft. in length or longer ship on oversized pallets. If you are ordering an item that has 8 ft. components or longer, and you do not have access to a fork lift and/or loading dock at your facility, please contact customer service to further assist with a custom shipping solution for delivery. Due to the size of these products, a lift gate cannot be used to move these products on and off the delivery truck.

Specifications

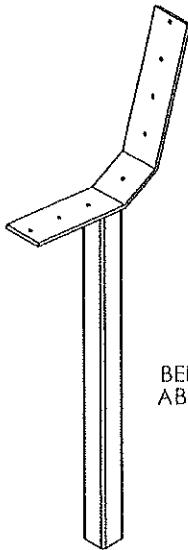
| | |
|---------------------------|---------------------------------------|
| SKU | 22K2362 |
| Model Name | 6' Inground Mount - 3 Engraved Boards |
| Material | Recycled Plastic |
| Mount Type | Inground |
| Seat Dimensions | 72" L x 14" W x 17" H |
| Overall Dimensions | 72" L x 21" W x 31.5" H |
| Weight | 152.0 |

BENCH INSTRUCTIONS

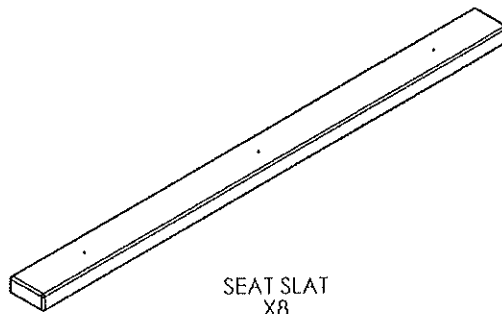
BC1305 REV# 2 7-15-2016
BC1306
BC1307
BC1308



BENCH INSTRUCTIONS



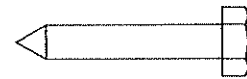
BENCH END
ABC-SS11020
X3



SEAT SLAT
X8



1/4" FLAT WASHER
X24
F0001



1/4" X 1.50" LAG SCREW
X24
F0002

REQUIRED TOOLS:

- (1) SCREW GUN
- (1) 7/16" SOCKET
- (1) 8" - 10" POST HOLE DIGGER
- (1) LEVEL

REQUIRED MATERIALS:

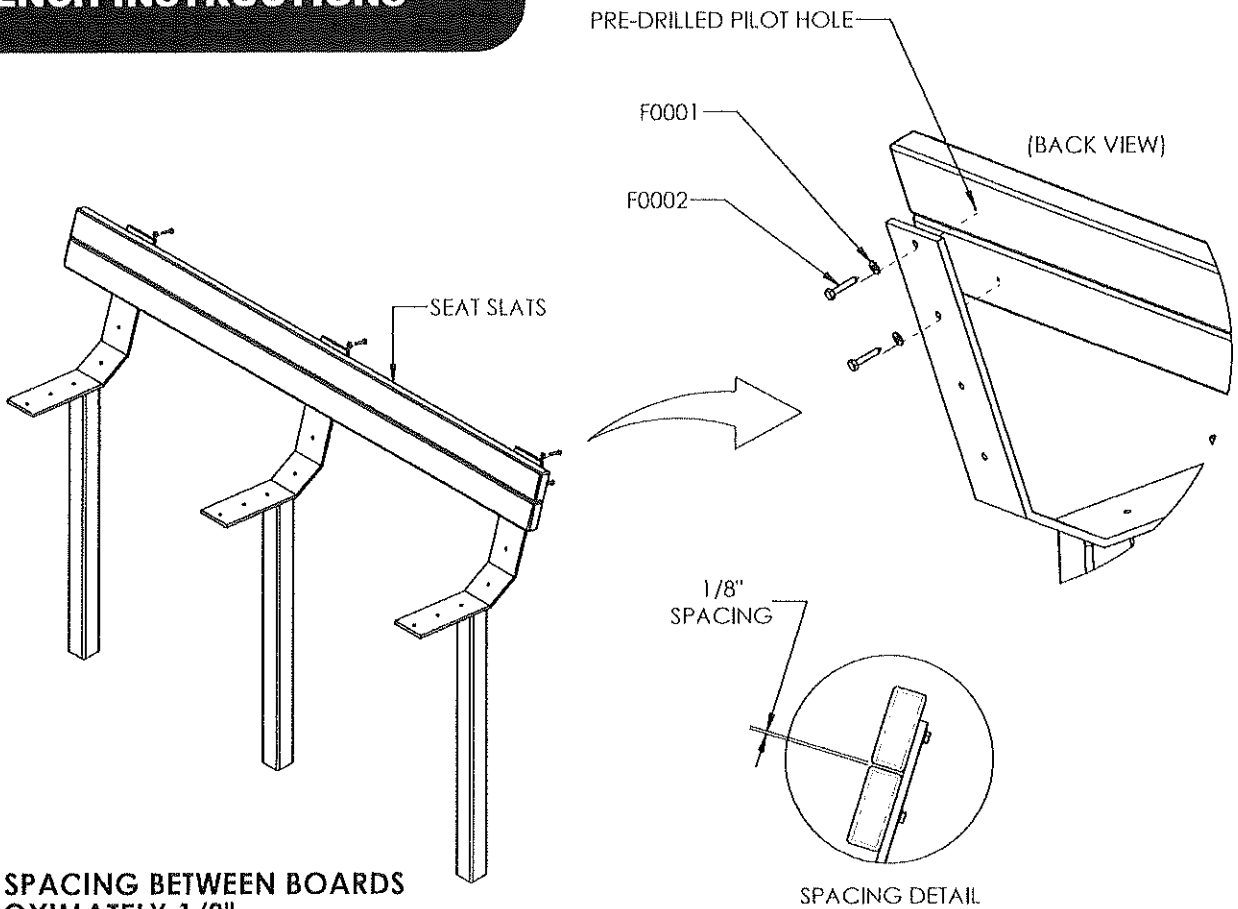
- READY-TO-MIX CONCRETE
- LOOSE GRAVEL
- WIRE & BRACING MATERIAL

BEFORE INSTALLING BENCH, PLEASE CHECK LOCAL CODES TO ENSURE PROPER INSTALLATION. THESE INSTRUCTIONS ARE A GENERAL GUIDELINE ON HOW TO INSTALL A BENCH. IF UNSURE ON HOW TO INSTALL, PLEASE CONTACT A PROFESSIONAL.

**INCLUDED HARDWARE &
REQUIRED TOOLS FOR
ASSEMBLY**

BENCH INSTRUCTIONS

1



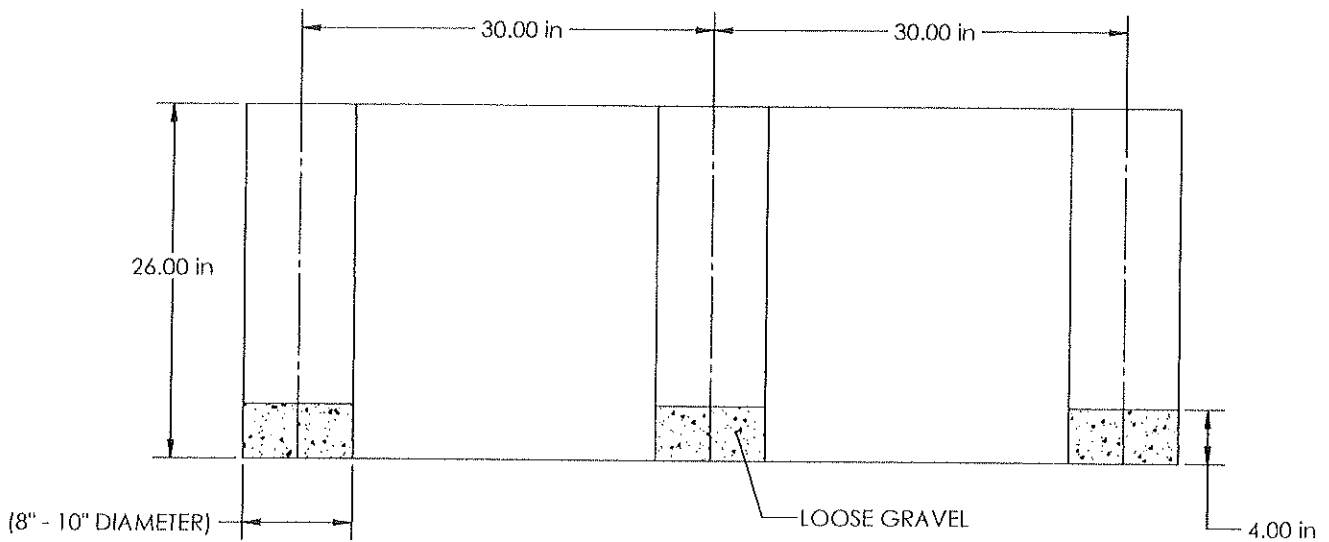
KEEP SPACING BETWEEN BOARDS APPROXIMATELY 1/8".

REPEAT STEPS FOR REMAINING SEAT SLATS

BENCH INSTRUCTIONS

2

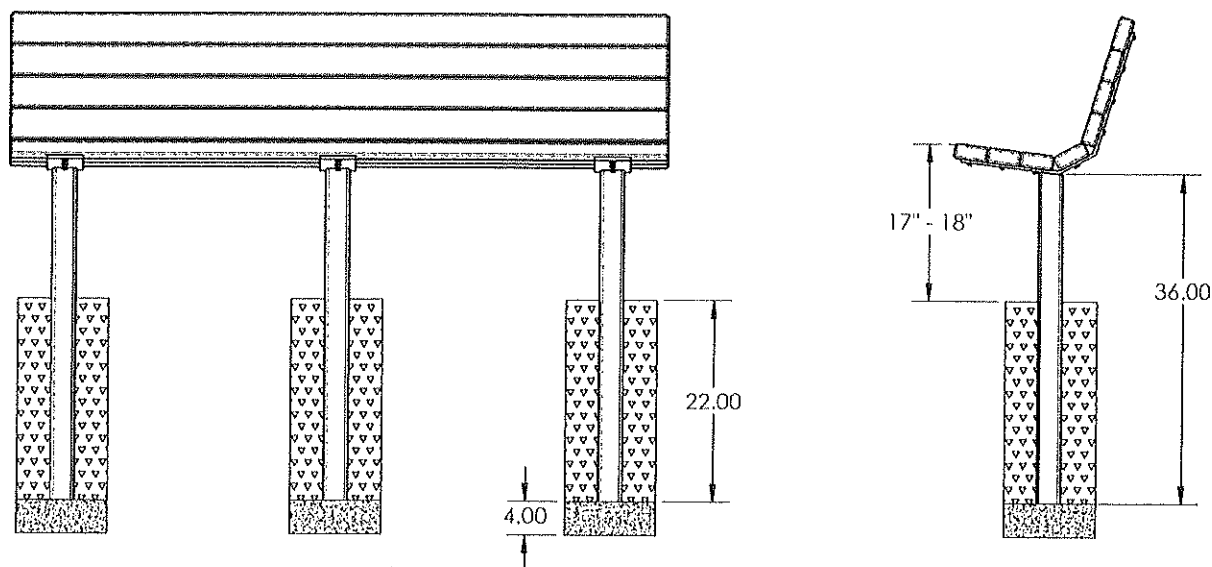
USING POST HOLE DIGGER, DIG THREE HOLES AS SHOWN BELOW. THEN, FILL IN EACH HOLE WITH APPROXIMATELY 4" OF LOOSE GRAVEL.



BEFORE INSTALLING BENCH, PLEASE CHECK LOCAL CODES TO ENSURE PROPER INSTALLATION. THESE INSTRUCTIONS ARE A GENERAL GUIDELINE ON HOW TO INSTALL A BENCH. IF UNSURE ON HOW TO INSTALL, PLEASE CONTACT A PROFESSIONAL.

BENCH INSTRUCTIONS

- 3** -CAREFULLY, PLACE THE BENCH INTO HOLES. CENTER EACH POST IN EACH HOLE AND LEVEL BENCH. ALSO, BE SURE TO CHECK SEAT HEIGHT TO ENSURE COMFORTABLE SEATING. SECURE PLACEMENT OF BENCH WITH BRACING MATERIALS AND FILL IN HOLES WITH READY-TO-MIX CONCRETE. ALLOW TO DRY AND REMOVE BRACING MATERIALS.

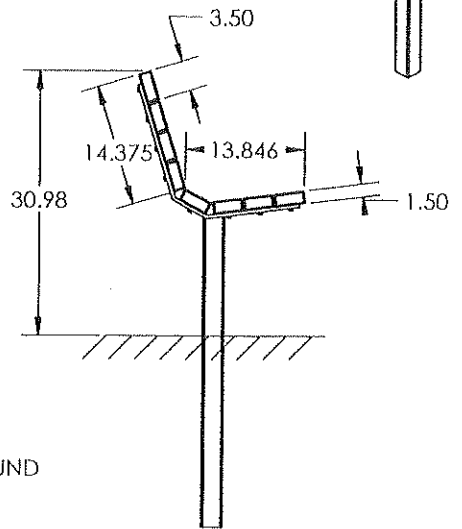
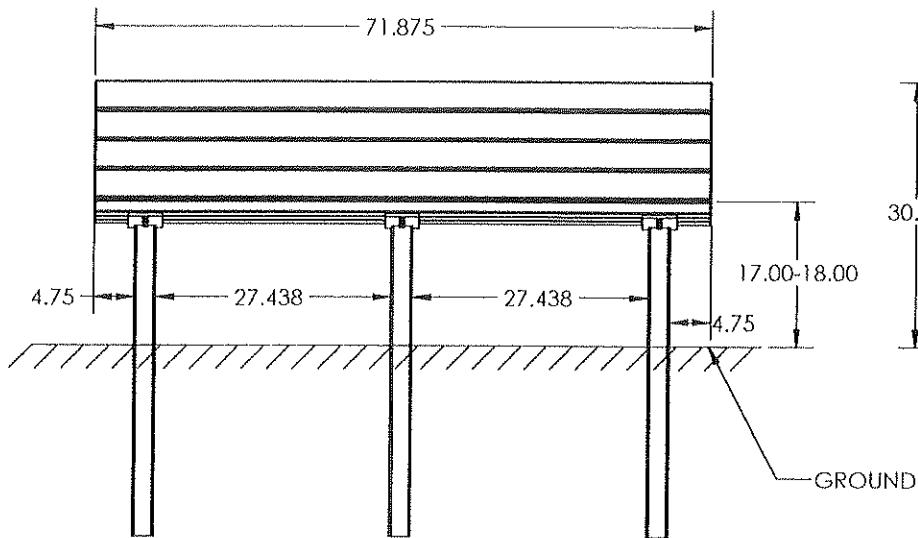
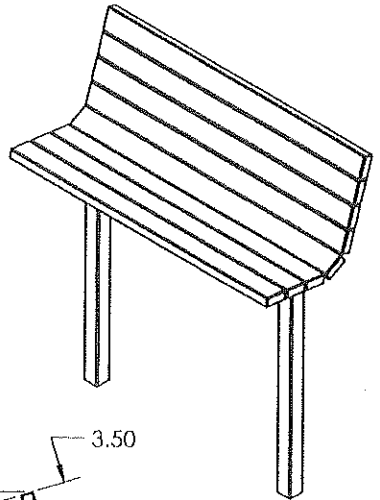
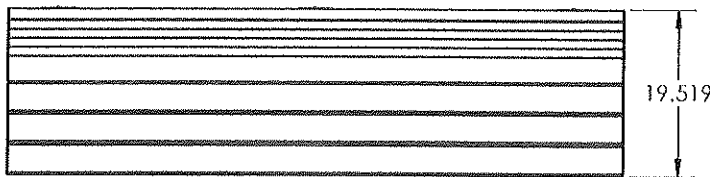


BEFORE INSTALLING BENCH, PLEASE CHECK LOCAL CODES TO ENSURE PROPER INSTALLATION. THESE INSTRUCTIONS ARE A GENERAL GUIDELINE ON HOW TO INSTALL A BENCH. IF UNSURE ON HOW TO INSTALL, PLEASE CONTACT A PROFESSIONAL.

BENCH SPECIFICATIONS

ALL DIMENSIONS SHOWN IN INCHES

BC1305
BC1306
BC1307
BC1308



CONSTRUCTION MATERIALS:
Recycled Plastic, Powder Coated Steel
HARDWARE:
Stainless Steel

SET POSTS 24 TO 26 INCHES INTO GROUND